

## ESD TurboTray™ Low-Profile Air Strippers



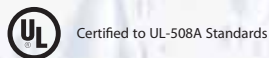
**ESD Waste2Water, Inc.** manufactures a complete line of high performance, low maintenance, removable tray Low Profile Air Strippers with removal efficiencies up to 99.9%. The side access panel allows the trays to be easily removed by one individual without any additional equipment or assistance, saving time and money.

### Standard Features:

- 5052 H32 marine grade aluminum construction
- High efficiency blower and TEFC motor
- High level switch
- Magnehelic pressure gauge
- Blower low pressure switch
- Level sight glass
- Mist eliminator
- Vacuum break
- NEMA IV control panel with high level and low pressure alarms

### Options:

- Stainless steel construction
- Explosion proof blower motor
- Level controls and pump out
- Filter vessels
- Liquid Phase or Vapor Phase Carbon Vessels
- Custom control panel
- Skid mounted, open trailer, enclosed trailer, custom enclosure or custom building



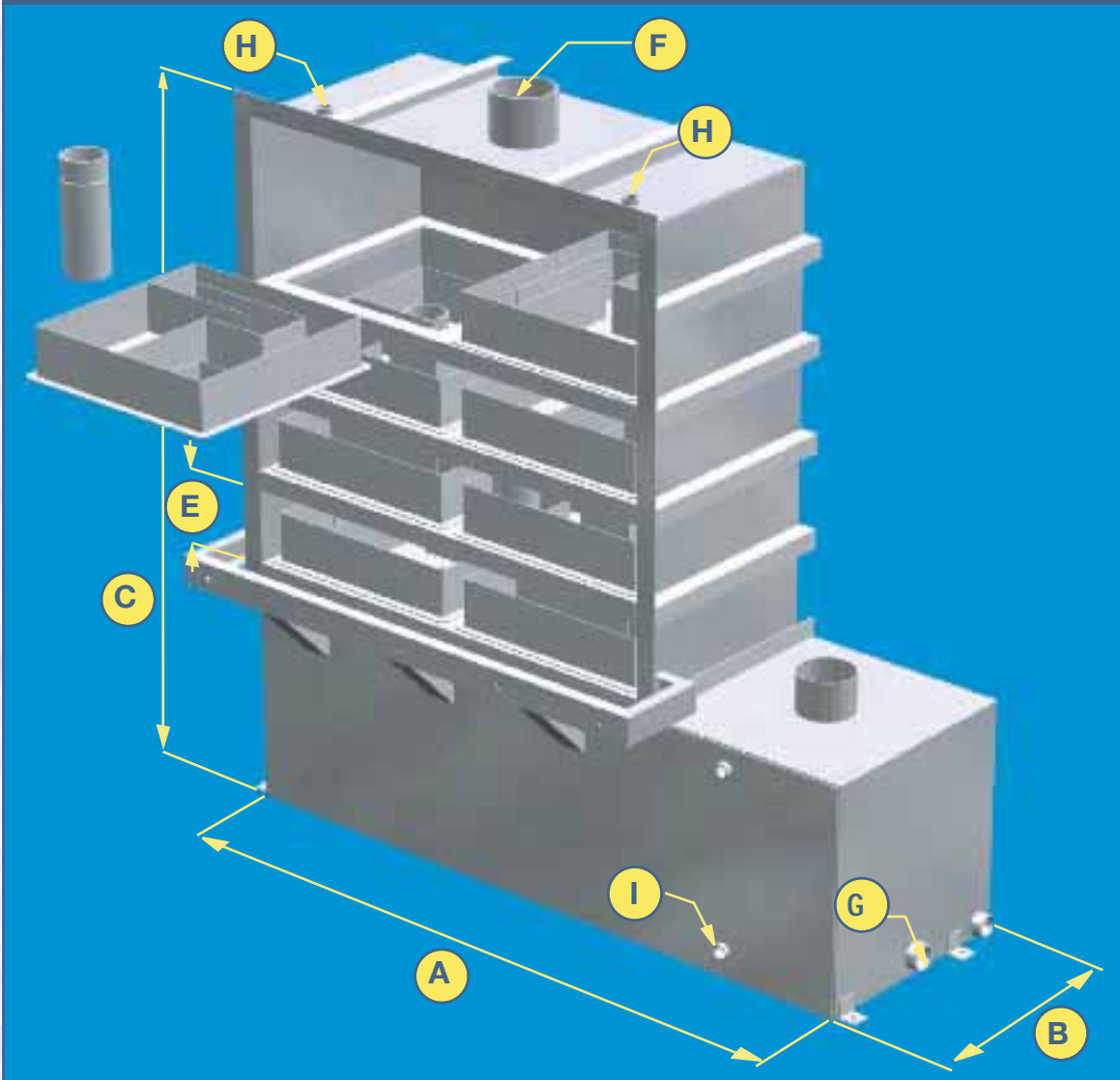
Thank you for allowing ESD to provide a solution  
to your equipment needs.



ESD Waste2Water, Inc.  
495 Oak Road  
Ocala, FL 34472  
Tel: 800.277.3279 Fax: 352.680.9278  
[www.waste2water.com](http://www.waste2water.com)

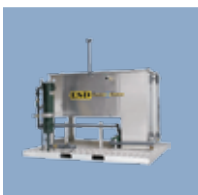


## ESD TurboTray™ Low-Profile Air Strippers



ESD Model #	Number of Trays	Process Flow Range (GPM)	ⓐ ⓓ Water Influent/ Effluent Size	Air Flow Required (SCFM)	ⓑ Air Inlet Diameter	ⓕ Air Outlet Diameter	Dry Weight	Operating Weight	ⓐ ⓑ ⓐ Shell Dimension (LxWxH)
2-2-4	4	1-25	3"/3"	210	4"	6"	340	1,300	27x51x75
2-2-6	6	1-25	3"/3"	210	4"	6"	465	1,545	27x51x95
2-3-4	4	1-60	3"/3"	320	4"	6"	390	1,830	39x51x75
2-3-6	6	1-60	3"/3"	320	4"	6"	565	2,185	39x51x95
2-4-4	4	1-75	3"/3"	420	4"	6"	475	2,395	51x51x75
2-4-6	6	1-75	3"/3"	420	4"	6"	725	2,885	51x51x95
2-6-4	4	1-120	4"/4"	600	6"	8"	650	3,530	75x51x75
2-6-6	6	1-120	4"/4"	600	6"	8"	925	4,165	75x51x95
•2-8-4	4	10-150	4"/4"	850	6"	8"	850	3,970	51x81x75
•2-8-6	6	10-150	4"/4"	850	6"	8"	1,225	4,825	51x81x95
•2-12-4	4	10-250	4"/6"	1300	8"	10"	1,275	5,915	75x81x75
•2-12-6	6	10-250	4"/6"	1300	8"	10"	1,750	7,110	75x81x95

\* Trays in these models are two piece trays, side by side for ease of removal for cleaning.



ESD Waste2Water, Inc.  
 495 Oak Road  
 Ocala, FL 34472  
 Tel: 800.277.3279 Fax: 352.680.9278  
 www.waste2water.com

